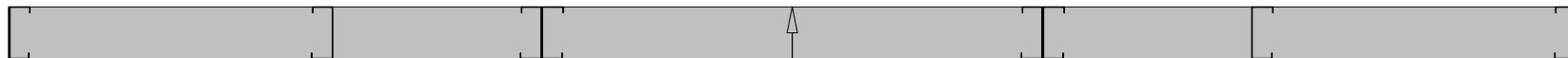


100

MP1



3000

Powered by FRAMECAD Detailer®



MUR -PORTE

MUR-PORTE

JOB NUMBER:
Nouvelle application

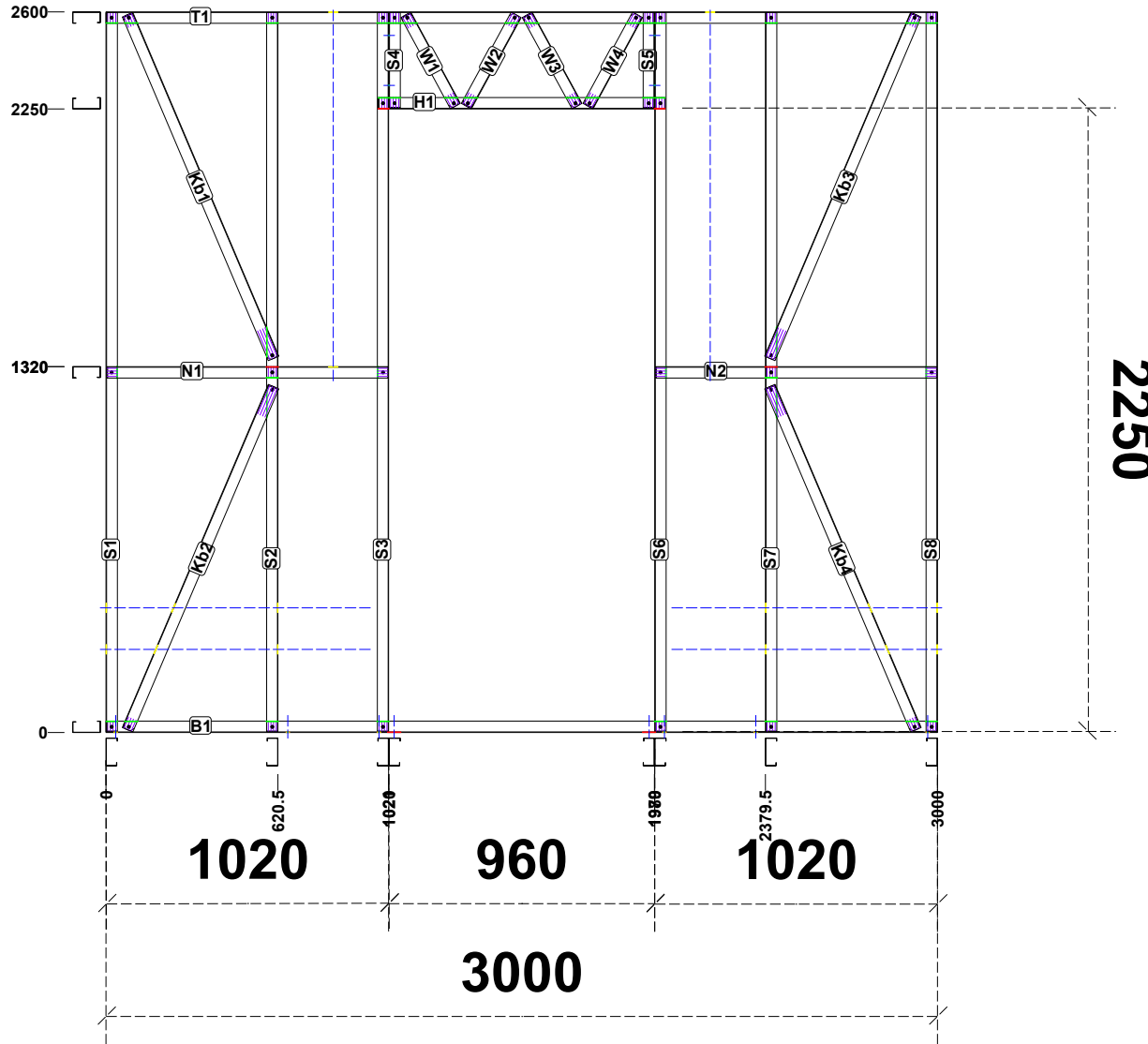
DATE LAST SAVED:
10 mars 2022

DRAWN:

SCALE:
1:13.84 on A4

REVISION:

Total Length: 32.21 m Total Weight: 59.6 kg



Powered by FRAMECAD Detailer ©



MUR -PORTE

MUR-PORTE - MP1

JOB NUMBER:
Nouvelle application

DATE LAST SAVED:
10 mars 2022

DRAWN:

SCALE:
Not to scale

REVISION: